

top view fan motor
blade and guard not
shown for clarity

Dimensions for Models:

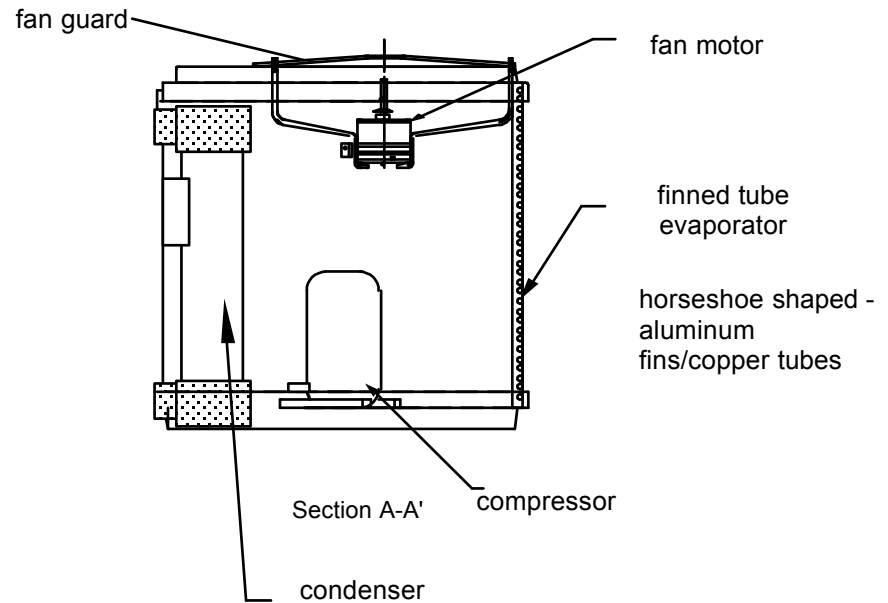
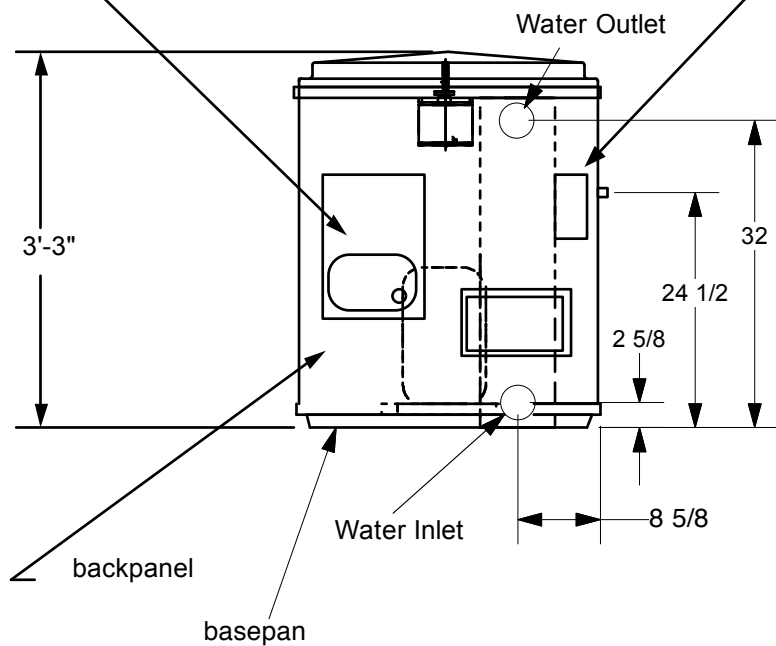
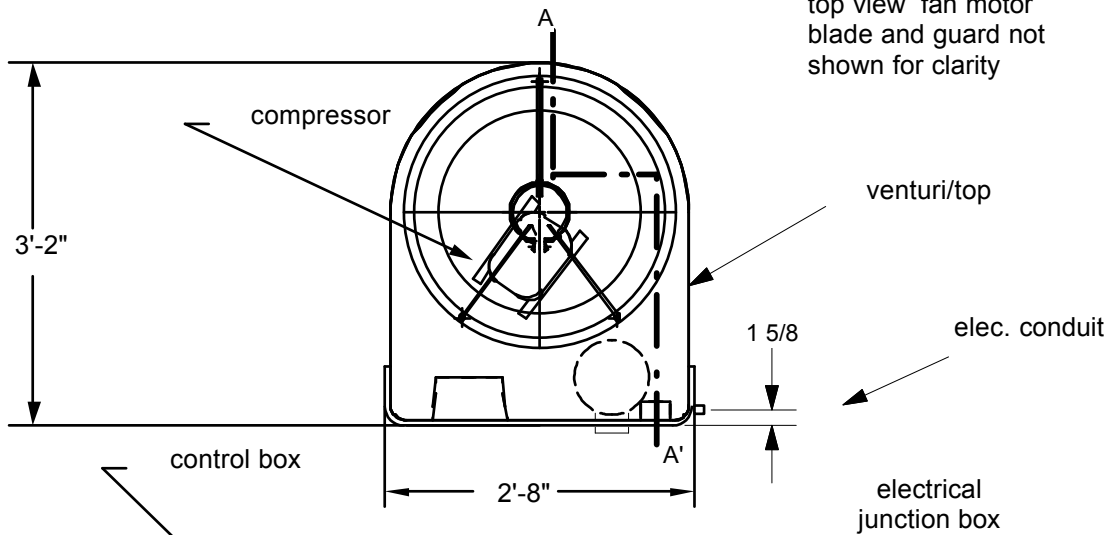
R410A 2010 & newer:

Heating Only all C3.25HP, Z375HP, C5HP,
Z575HP models including suffixes
-HP3, -HPX, -HP50,

Cooling Only - Z575CP, Z575CP3,
Z575CP4, Z575CPX

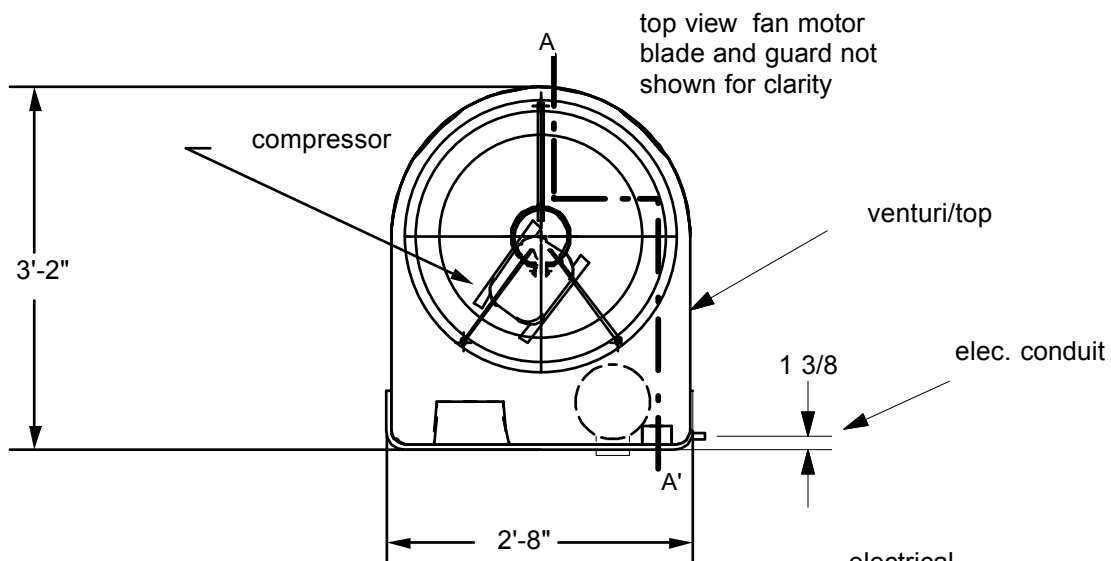
R22 pre 2010 models:

3.25HP, SX3.25HP, 5HP, SX5HP ONLY



BOTH WATER INLET & OUTLET are Sch 40 PVC
1.5" Slip Fitting (ID)
2" MPT (OD)

United States ThermoAmp Inc. 1223 Walnut Street • Latrobe, Pennsylvania, USA 15650 • 724-537-3500		SHEET	Rev.
		1 of 3	D
TITLE	DRAWN BY	DRAWING NUMBER	DATE
UNIT LAYOUT 3/5HP	WPB	061102	11/8/10

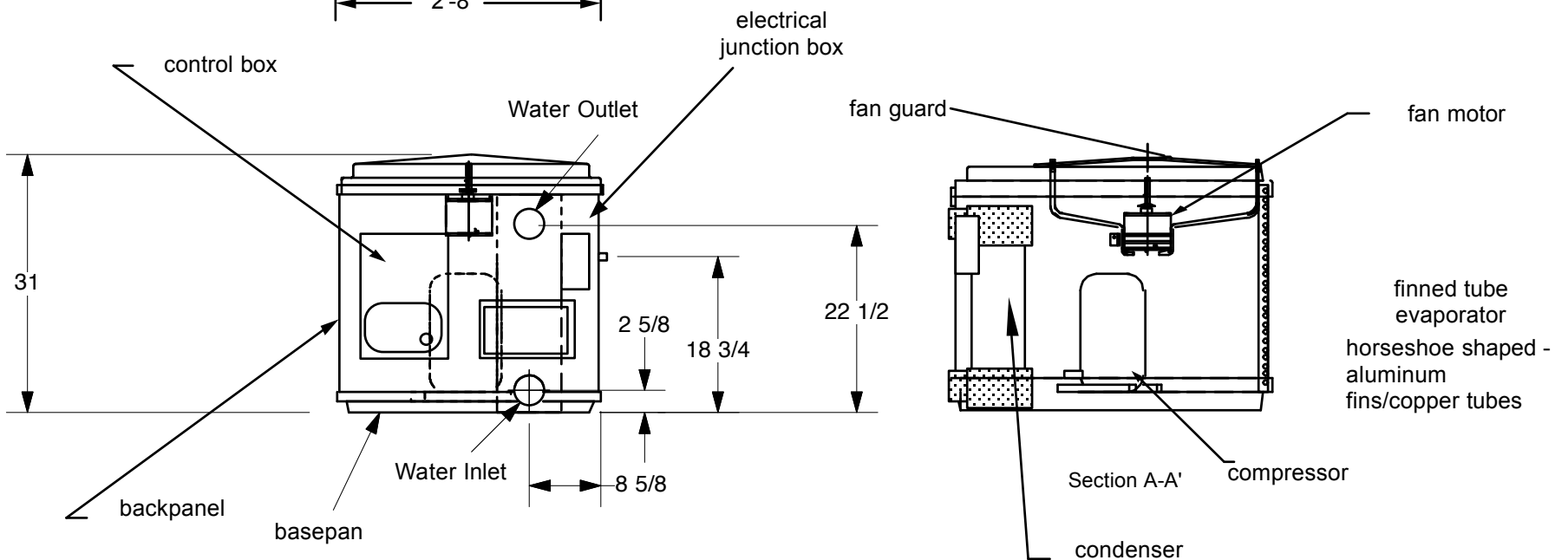


Dimensions for Models given are for the following models only:

R410A 2010 & newer:

Heating Only - C2.25HP, C2.25HP50, Z250HP, Z250HP50, Z250HPX models

R22 pre 2010 models: 2.25HP & 2.25HPX only



BOTH WATER INLET & OUTLET are Sch 40 PVC
1.5" Slip Fitting (ID)
2" MPT (OD)

United States ThermoAmp Inc.

1223 Walnut Street • Latrobe, Pennsylvania, USA 15650 • 724-537-3500

SHEET

2 of 2

Rev.

D

TITLE

UNIT LAYOUT 2HP

DRAWN BY

WPB

DRAWING NUMBER

061102

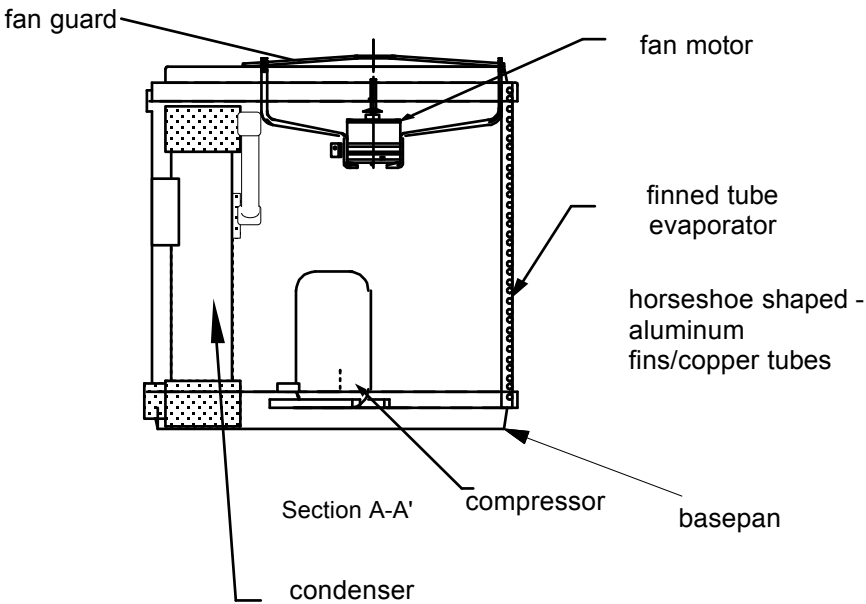
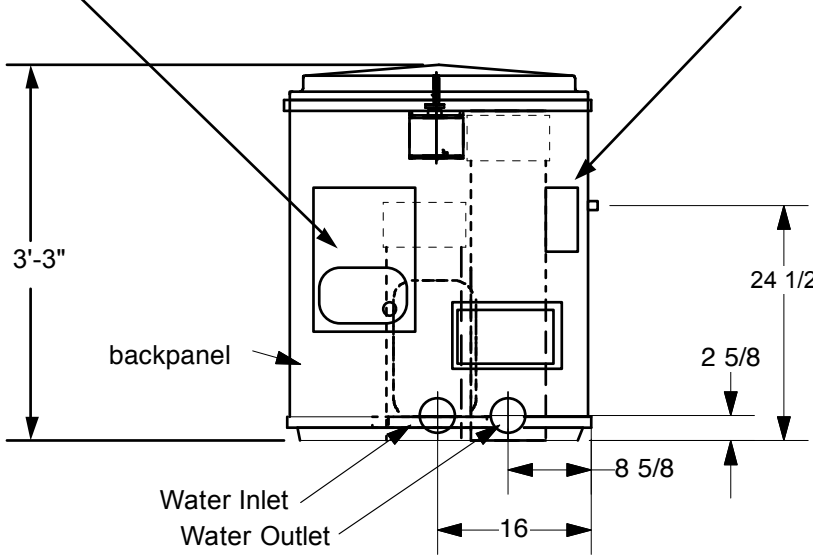
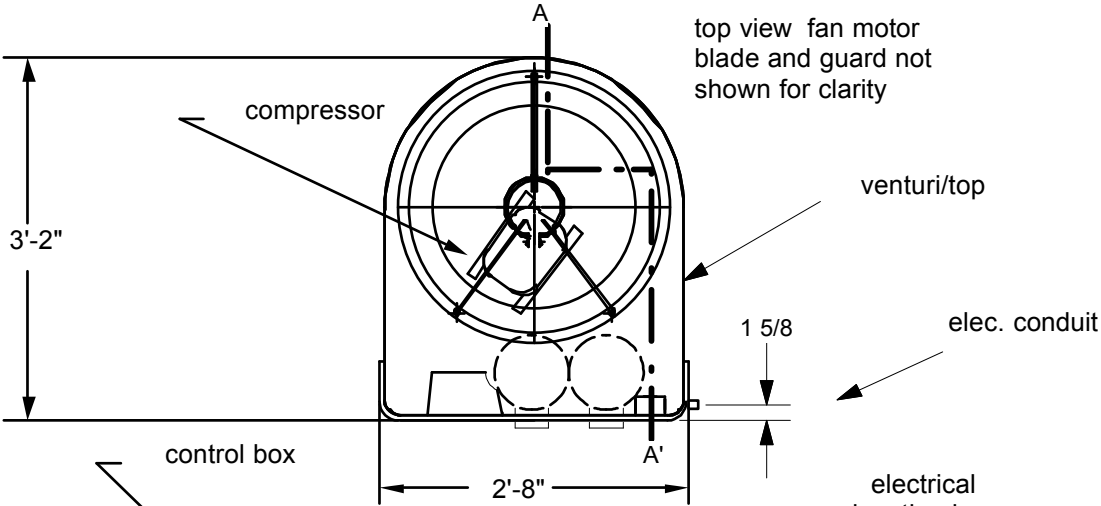
DATE

11/8/10

Dimensions for Following R410A Models (2010 & newer):

Heating Only - Z700HP, Z700HP3, Z700HPX, Z700HP4,

Reversing (HC) Models - Z575HC, Z575HC3, Z575HCX



BOTH WATER INLET & OUTLET are Sch 40 PVC
1.5" Slip Fitting (ID)
2" MPT (OD)

United States ThermoAmp Inc. 1223 Walnut Street • Latrobe, Pennsylvania, USA 15650 • 724-537-3500		SHEET 3 of 3	Rev. D
TITLE UNIT LAYOUT 7HP/5HC	DRAWN BY WPB	DRAWING NUMBER 061102	DATE 11/8/10